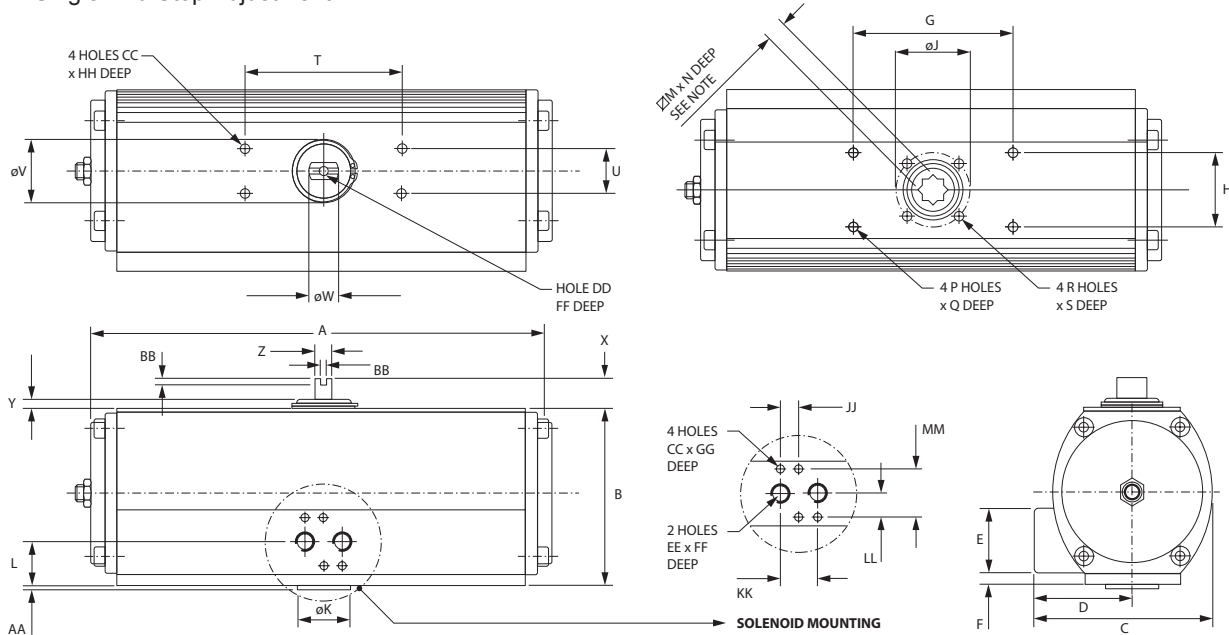


## Pneumatic Actuator Type 1 180°, Metric Size 4, 8, 12, 20 and 35

- Double acting (DA)
- Single End Stop Adjustment



### DIMENSIONS, METRIC (mm)

Actuator size	ISO	A	B	C	D	E	F	G	H	ØJ	ØK	L	M	N	P	Q	R	S	T
WM4	F04	215.0	90.5	87.5	47.5	41.0	---	73.0	32.0	42.0	30.0	20.5	11.0	12.0	M5	8.0	M5	8.0	80.0
WM8	F07	245.0	109.0	105.0	57.0	42.0	7.5	73.0	32.0	50.0	35.0	28.5	14.0	16.0	M6	10.0	M8	13.0	80.0
WM12	F07	295.0	118.5	121.0	67.0	43.0	8.0	107.0	49.0	50.0	55.0	29.5	17.0	16.0	M6	10.0	M8	13.0	80.0
WM20	F07	337.0	140.5	136.5	72.0	43.0	8.0	107.0	49.0	70.0	55.0	29.5	17.0	19.0	M6	10.0	M8	13.0	80.0
WM35	F10	402.0	166.5	156.0	78.0	43.0	8.5	161.0	73.0	102.0	70.0	30.0	22.0	24.0	M6	12.0	M10	16.0	80.0

Actuator size	ISO	U	ØV	ØW	X	Y	Z	AA	BB	CC	DD	EE	FF	GG	HH	JJ	KK	LL	MM
WM4	F04	30.0	31.0	20.0	20.0	4.5	11.5	2.0	4.0	M5	M6	G1/8"	12.0	8.0	5.0	12.0	24.0	16.0	32.0
WM8	F07	30.0	35.0	20.0	20.0	5.0	11.5	3.0	4.0	M5	M6	G1/8"	12.0	8.0	5.0	12.0	24.0	16.0	32.0
WM12	F07	30.0	45.0	20.0	20.0	5.5	11.5	3.0	4.0	M5	M6	G1/4"	12.0	8.0	5.0	12.0	24.0	16.0	32.0
WM20	F07	30.0	50.0	32.0	20.0	6.5	19.0	3.0	4.0	M5	M6	G1/4"	12.0	8.0	5.0	12.0	24.0	16.0	32.0
WM35	F10	30.0	61.0	32.0	20.0	7.0	19.0	3.0	4.0	M5	M6	G1/4"	12.0	8.0	5.0	12.0	24.0	16.0	32.0

### TORQUE AND OPERATING DETAILS

Actuator Size	Air Supply	DA Torque	Operating time (sec) *		Air consumption (litre)		Weight (kg)
	BAR	Nm	DA Open	DA Close	Open	Close	DA
WM4	5.5	41	<1	<1	0.09	0.12	2.8
WM8	5.5	75	<1	<1	0.18	0.24	3.1
WM12	5.5	122	1.5	1.5	0.34	0.41	6.4
WM20	5.5	206	2.0	2.0	0.49	0.64	9.7
WM35	5.5	375	2.5	2.5	0.90	1.00	17.5

\* Note! May be affected by air pipe diameter and type of solenoid valve