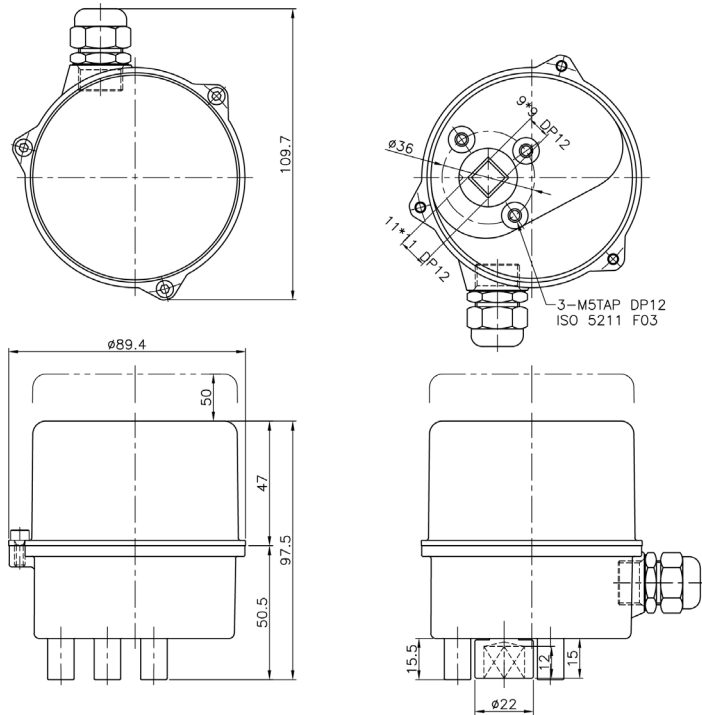
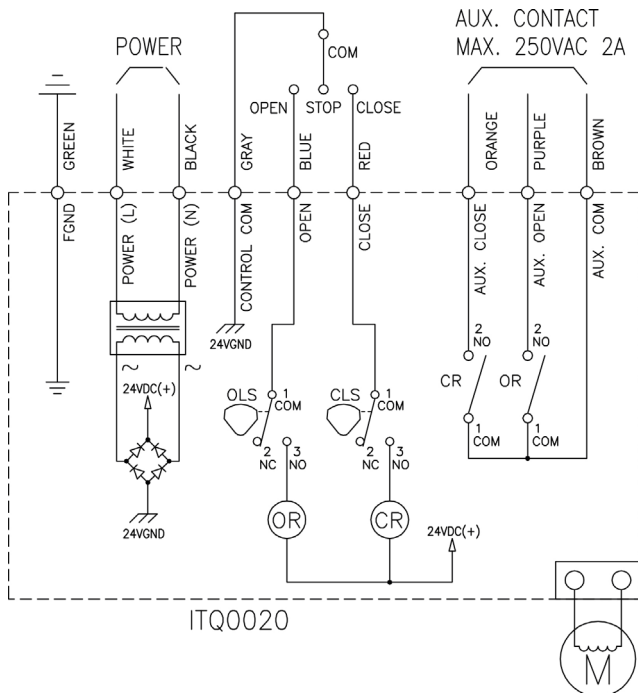


Electrical Actuator type ITQ 002

DIMENSIONS



WIRING



CLS : CLOSE LIMIT SWITCH (250VAC 2A)
 OLS : OPEN LIMIT SWITCH (250VAC 2A)
 CR : AUX. FULL CLOSE RELAY (250VAC 2A)
 OR : AUX. FULL OPEN RELAY (250VAC 2A)
 *EACH ACTUATOR SHOULD BE POWERED THROUGH ITS OWN INDIVIDUAL SWITCH OR RELAY CONTACTS TO PREVENT CROSS FEED BETWEEN TWO OR MORE ACTUATORS.