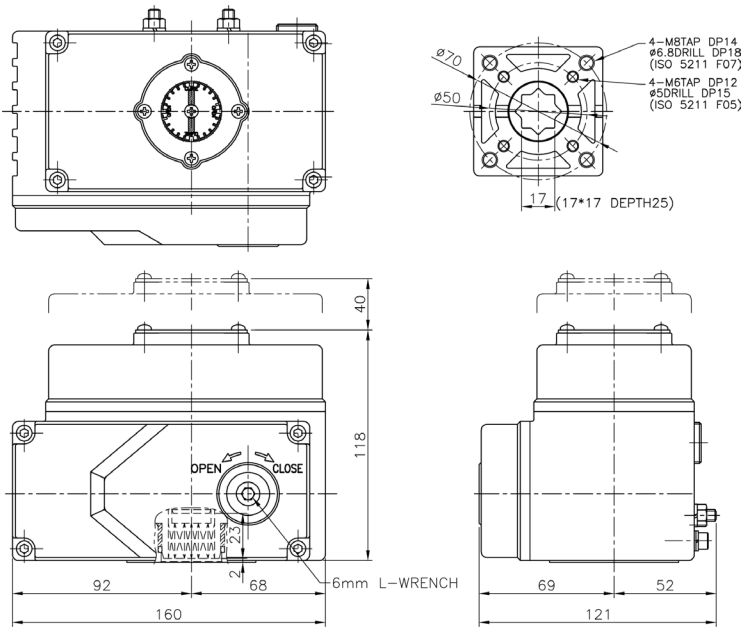
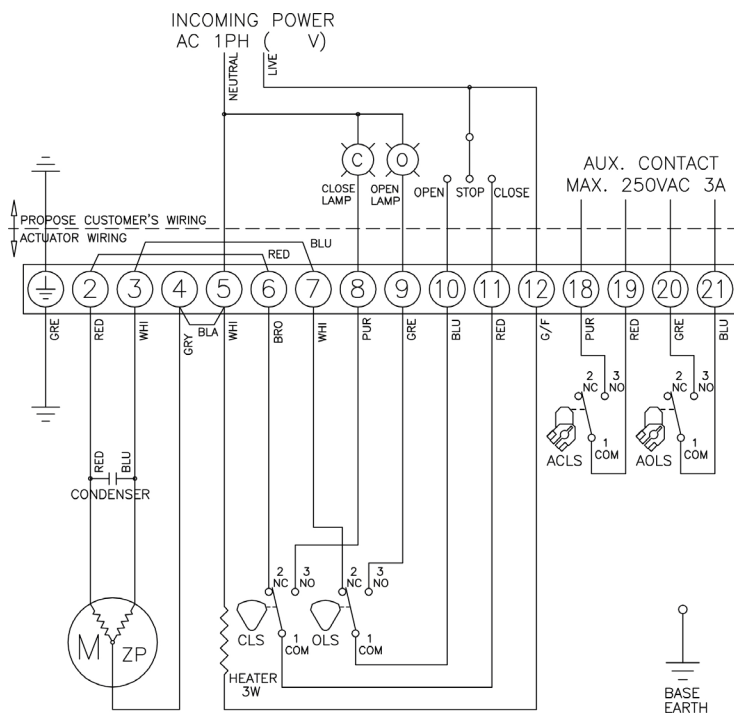


# Electrical Actuator type ITQ 008

## DIMENSIONS



## WIRING



CLS : CLOSE LIMIT SWITCH (250VAC 3A)  
 OLS : OPEN LIMIT SWITCH (250VAC 3A)  
 ACLS : AUX. CLOSE LIMIT SWITCH (250VAC 3A)  
 AOLS : AUX. OPEN LIMIT SWITCH (250VAC 3A)  
 ZP : IMPEDANCE PROTECTED MOTOR  
 \*EACH ACTUATOR SHOULD BE POWERED THROUGH ITS OWN INDIVIDUAL SWITCH OR RELAY CONTACTS TO PREVENT CROSS FEED BETWEEN TWO OR MORE ACTUATORS.