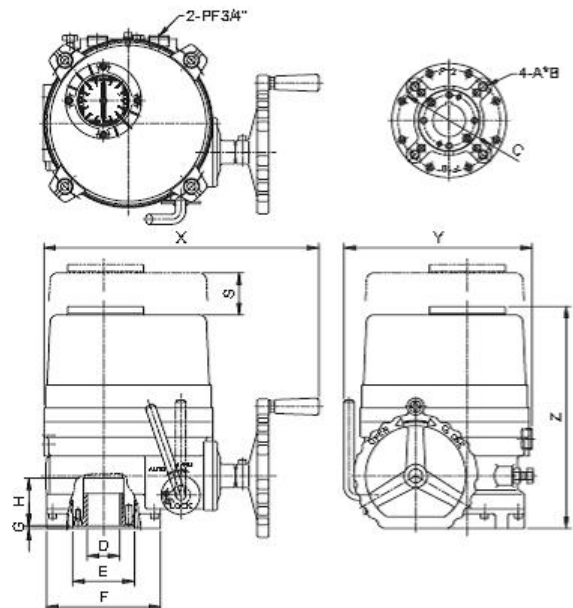


Electrical Actuator type ITQ 010-300

BASIC ACTUATOR DIMENSIONS



Type	Flange ISO5211	C	A	B	D(key)	D(square)	E	F	G	H	S	X	Y	Z
ITQ 010	F07	Ø70	M8	14	Ø22	•20	Ø50	Ø88	3	37	100	258	172	220
ITQ 016	F07/F10	Ø70 / Ø102	M8 / M10	14 / 17	Ø25	•23	Ø58,5	Ø125	3	57	115	338	229	259
ITQ 024	F07/F10	Ø70 / Ø102	M8 / M10	14 / 17	Ø25	•23	Ø58,5	Ø125	3	57	115	338	229	259
ITQ 035	F10/F12	Ø102 / Ø125	M10 / M12	17 / 21	Ø40	•34	Ø80	Ø148	3	62	145	357	244	288
ITQ 050	F10/F12	Ø102 / Ø125	M10 / M12	17 / 21	Ø40	•34	Ø80	Ø148	3	62	145	357	244	288
ITQ 080	F12/F14	Ø125 / Ø140	M12 / M16	20 / 25	Ø48	•40	Ø95	Ø178	3	67	170	380	287	313
ITQ 110	F12/F14	Ø125 / Ø140	M12 / M16	20 / 25	Ø48	•40	Ø95	Ø178	3	67	170	380	287	313
ITQ 200	F16	Ø165	M20	32	Ø75	•64	Ø135	Ø226	5	90	225	440	375	385
ITQ 300	F16	Ø165	M20	32	Ø75	•64	Ø135	Ø226	5	90	225	440	375	385

OPTIONS

REMOTE MONITORING AND CONTROL	
PK	Potentiometer kit (output signal: 0-1 kΩ) High resolution potentiometer and precisely machined gearing are directly engaged with drive shaft to feed back continuous position of valve
CT	Current transmitter (output signal: 4-20 mA) Zero / span adjustment Convertible DIP switch (4 wire to 2 wire)
RPC	Remote position controller (by input and output signal) Input: 4-20 mA, 0-10VDC, 2-10VDC, 1-5VDC, 0-5VDC Output: 4-20 mA Auto-calibration Reverse operating direction
Local control unit	
Fail safe unit	

MECHANICAL	
EX	Explosion proof (Ex d II B T4)
ALS	Auxiliary limit switches (max. 2 for each travel end)
ATS	Auxiliary torque switches (max. 2 for each travel end) Except ITQ 010
EXT	Extended travel angle (up to 120°, 135°, 180°, 270°)