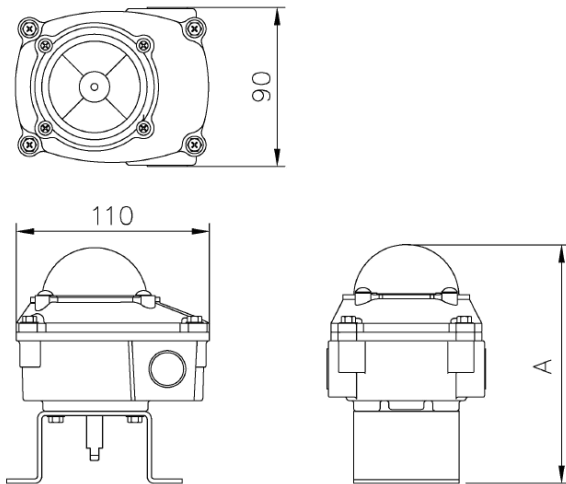


Limit Switch box, Type ITS110, Inductive



**DIMENSIONS (mm)**



A	Type 1	Type 2
136	2-35	-
146	-	35-150
166	250-400	-

**SPECIFICATIONS**

Enclosure	Weatherproof IP67, O-ring sealed
Material	Aluminum, Polyester coated
Ambient temperature	-20°C~+80°C
Switch cams	Adjustable, preset for 90°
Cable entries	2xM20x1.5
Terminal block	8 pos of terminal strips (6 for switches, 2 for solenoid valve power)
Position indicator	Dome type 0°~90°
Mounting bracket	Stainless steel acc. to VDI/VDE3845, NAMUR
Proximity sensors	2 pcs. type V3, IFM IS 5001, 10-36V DC PNP