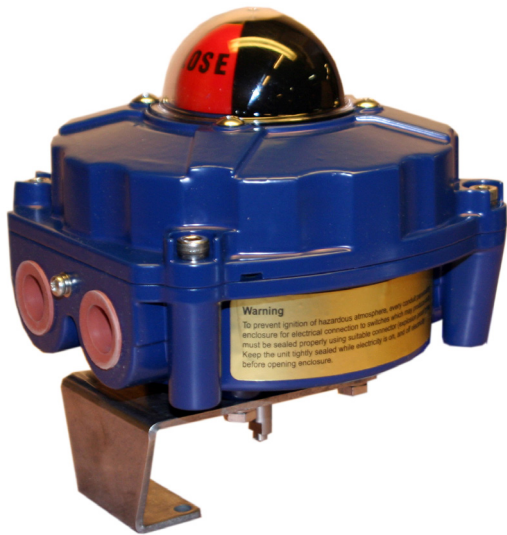


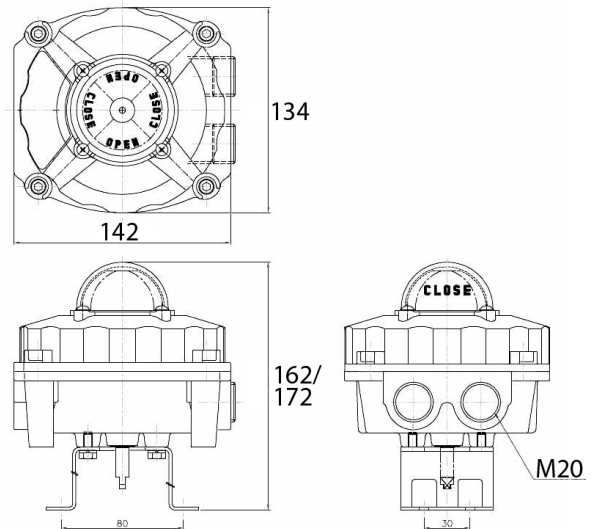
**Limit Switch box Type ITS305, Potentiometer
Explosion proof**



SPECIFICATIONS

| | |
|---------------------|--|
| Enclosure | Explosion proof Ex d IIC T6, IP67, O-ring sealed |
| Material | Aluminum, Polyester coated |
| Ambient temperature | -20°C~+80°C |
| Switch cams | Adjustable, preset for 90° |
| Cable entries | 2xM20x1.5 |
| Terminal block | 8 pos of terminal strips (6 for switches, 2 for solenoid valve power) |
| Position indicator | Dome type 0°~90° |
| Mounting bracket | Stainless steel acc. to VDI/VDE3845, NAMUR |
| Mechanical switches | 2 pcs. Max 250V AC 16A, 125 V DC 0.6A |
| Potentiometer | 5 kOhm |

DIMENSIONS (mm)



WIRING

