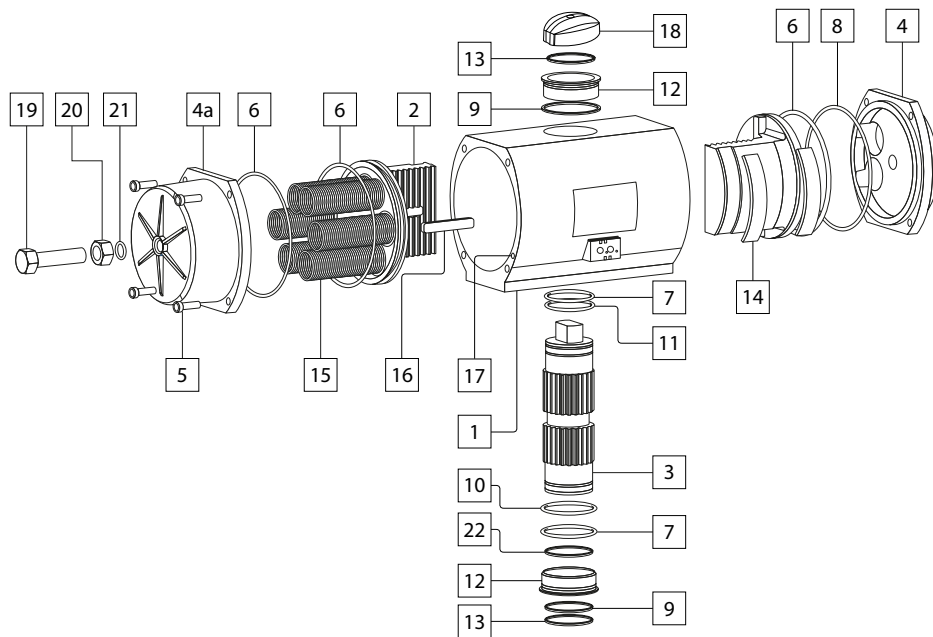


Part List for Pneumatic Actuator Type 1, size 250



Ref.no.	Description	Quantity	Material	
			Standard	CNI
1	Body	1	Alum. Anodized	CNI treated
2	Pistons	2	Alum.	Alum. Anodized
3	Driveshaft	1	Ni Plated Steel + Teflon	Ni Plated Steel + Teflon
4	End Cap, DA	2	Polyester Coated	CNI treated
4a	End Cap, SR	2	Polyester Coated	CNI treated
5	End Cap Bolt	8	Stainless Steel	Stainless Steel
6	O-ring	2	Buna Nitril	Buna Nitril
7	O-ring	2	Buna Nitril	Buna Nitril
8	O-ring	2	Buna Nitril	Buna Nitril
9	Washer	1	POM	POM
10	Washer	1	POM	POM
11	O-ring	2	Buna Nitril	Buna Nitril
12	Bushing	2	Bronze	Bronze
13	Circlip	2	Ni plated Steel	Stainless Steel
14	Wear Pad	4	POM	POM
15	Spring	max 12	SiCr	SiCr
16	Guide Bar	2	Steel	Stainless Steel
17	Ball Bearing	2	Nitril	Buna Nitril
18	Position Indicator	1	POM	POM
19	Stop Adjustment Screw	2	Stainless Steel	Stainless Steel
20	Stop Adjustment Nut	2	Stainless Steel	Stainless Steel
21	Stop Adjustment O-ring	2	Buna Nitril	Buna Nitril
22	Washer	1	POM	POM