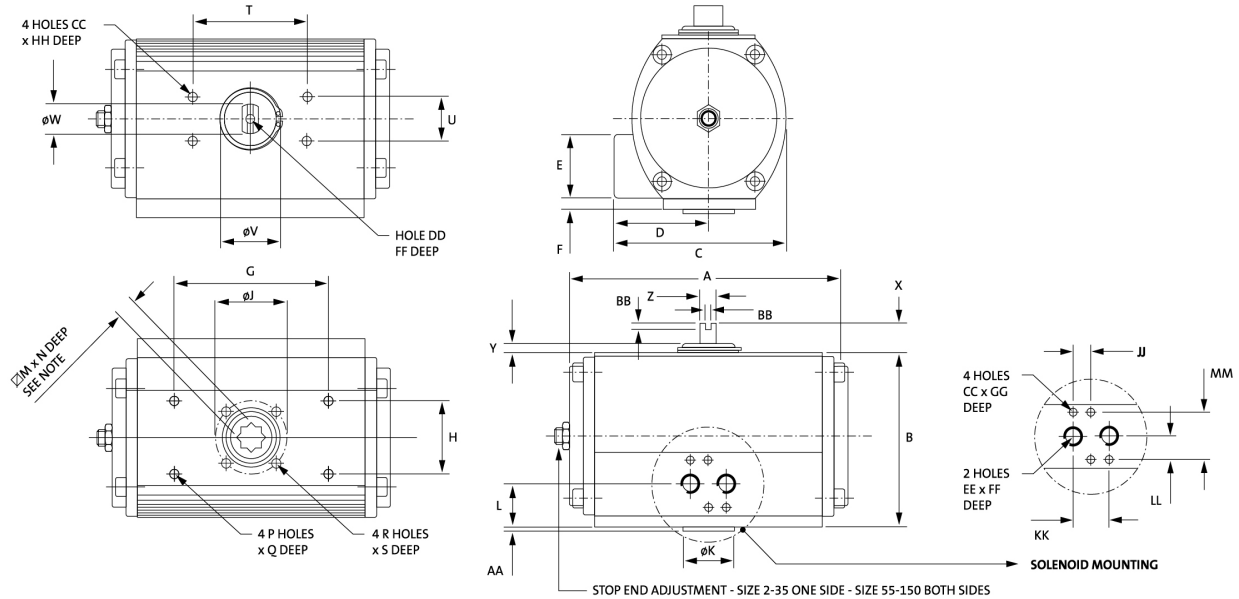


## Pneumatic Actuator Type 1, Metric Size 2, 4, 8, 12, 20 and 35

- Double acting (DA) and Spring Return (SR)
- Single End Stop Adjustment, open position



### DIMENSIONS, METRIC (mm)

Actuator size	ISO	A	B	C	D	E	F	G	H	øJ	øK	L	M	N	P	Q	R	S	T
WM2	F03	114,5	73,0	75,5	43,5	41,0	---	73,0	32,0	36,0	25,0	20,5	9,0	10,0	M5	8,0	M5	8,0	80,0
WM2	F04	114,5	73,0	75,5	43,5	41,0	---	73,0	32,0	42,0	25,0	20,5	11,0	10,0	M5	8,0	M5	8,0	80,0
WM4	F04	133,0	90,5	87,5	47,5	41,0	---	73,0	32,0	42,0	30,0	20,5	11,0	12,0	M5	8,0	M5	8,0	80,0
WM4	F05	133,0	90,5	87,5	47,5	41,0	---	73,0	32,0	50,0	30,0	20,5	11,0	12,0	M5	8,0	M5	8,0	80,0
WM4	F05	133,0	90,5	87,5	47,5	41,0	---	73,0	32,0	50,0	30,0	20,5	14,0	12,0	M5	8,0	M5	8,0	80,0
WM8	F05/F07	162,0	109,0	105,0	57,0	42,0	7,5	73,0	32,0	50,0	35,0	28,5	14,0	16,0	M6	10,0	M6	10,0	80,0
WM12	F05/F07	194,0	118,5	121,0	67,0	43,0	8,0	107,0	49,0	50,0	35,0	29,5	14,0	16,0	M6	10,0	M6	10,0	80,0
WM12	F05/F07	194,0	118,5	121,0	67,0	43,0	8,0	107,0	49,0	50,0	35,0	29,5	17,0	16,0	M6	10,0	M6	10,0	80,0
WM20	F07/F10	218,0	140,5	136,5	72,0	43,0	8,0	107,0	49,0	70,0	55,0	29,5	17,0	19,0	M6	10,0	M8	13,0	80,0
WM35	F07/F10	266,0	166,5	156,0	78,0	43,0	8,5	161,0	73,0	102,0	70,0	30,0	22,0	24,0	M6	12,0	M10	16,0	80,0

Actuator size	ISO	U	øV	øW	X	Y	Z	AA	BB	CC	DD	EE	FF	GG	HH	JJ	KK	LL	MM
WM2	F03	30,0	25,0	16,0	20,0	4,5	11,5	2,0	4,0	M5	M6	G1/8"	12,0	8,0	5,0	12,0	24,0	16,0	32,0
WM2	F04	30,0	25,0	16,0	20,0	4,5	11,5	2,0	4,0	M5	M6	G1/8"	12,0	8,0	5,0	12,0	24,0	16,0	32,0
WM4	F04	30,0	31,0	20,0	20,0	4,5	11,5	2,0	4,0	M5	M6	G1/8"	12,0	8,0	5,0	12,0	24,0	16,0	32,0
WM4	F05	30,0	31,0	20,0	20,0	4,5	11,5	2,0	4,0	M5	M6	G1/8"	12,0	8,0	5,0	12,0	24,0	16,0	32,0
WM4	F05	30,0	31,0	20,0	20,0	4,5	11,5	2,0	4,0	M5	M6	G1/8"	12,0	8,0	5,0	12,0	24,0	16,0	32,0
WM8	F05	30,0	35,0	20,0	20,0	5,0	11,5	3,0	4,0	M5	M6	G1/8"	12,0	8,0	5,0	12,0	24,0	16,0	32,0
WM12	F05/F07	30,0	45,0	20,0	20,0	5,5	11,5	3,0	4,0	M5	M6	G1/4"	12,0	8,0	5,0	12,0	24,0	16,0	32,0
WM12	F05/F07	30,0	45,0	20,0	20,0	5,5	11,5	3,0	4,0	M5	M6	G1/4"	12,0	8,0	5,0	12,0	24,0	16,0	32,0
WM20	F07/F10	30,0	50,0	32,0	20,0	6,5	19,0	3,0	4,0	M5	M6	G1/4"	12,0	8,0	5,0	12,0	24,0	16,0	32,0
WM35	F07/F10	30,0	61,0	32,0	20,0	7,0	19,0	3,0	4,0	M5	M6	G1/4"	12,0	8,0	5,0	12,0	24,0	16,0	32,0



Pneumatic Actuator Type 1, Metric  
Size 2, 4, 8, 12, 20 and 35

**TORQUE**

Actuator Size	Air Supply	DA Torque	SR Torque (Nm)				
	BAR	Nm	Air - Start	Air - End	Spring - Start	Spring - End	Spring Qty
WM2	6	20	13	7	13	7	4+4
WM4	6	41	27	15	26	14	4+4
WM8	6	90	58	32	57	31	4+4
WM12	6	122	79	44	78	43	4+3
WM20	6	202	130	71	130	71	4+4
WM35	6	374	241	133	241	132	4+4

**OPERATING DETAILS**

Actuator Size	Operating time (sec)				Air consumption (litre)		Overall weight (kg)	
	DA Open	DA Close	SR Open	SR Close	Open	Close	DA	SR
WM2	<1	<1	<1	<1	0,09	0,12	1,0	1,1
WM4	<1	<1	<1	<1	0,18	0,24	1,8	1,9
WM8	<1	<1	<1	<1	0,34	0,41	3,1	3,4
WM12	1,5	1,5	1,5	1,0	0,49	0,64	4,2	4,7
WM20	2,0	2,0	2,0	1,5	0,90	1,00	6,6	7,5
WM35	2,5	2,5	2,5	2,0	1,69	1,90	11,1	12,8