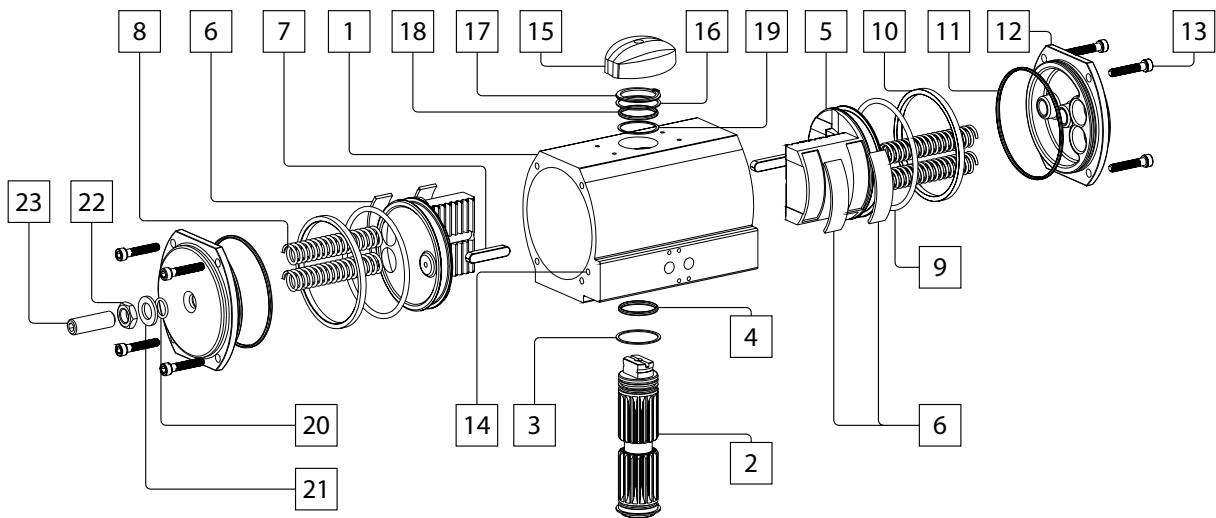


## Part List for Pneumatic Actuator Type 1 90°, size 2-35



Type 1 Actuator 90°, size 2-35			Material	
Ref.no.	Description	Quantity	Standard	CNI
1	Body	1	Alum. Anodized	Alum. CNI treated
2	Driveshaft	1	Ni Plated Steel + Teflon	Ni Plated Steel + Teflon
3	Washer	1	POM	POM
4	O-ring	1	Buna Nitril	Buna Nitril
5	Pistons	2	Alum.	Alum. Anodized
6	Wear Pads	4	POM	POM
7	Guide Bar	2	Steel	Steel
8	Spring	4	SiCr	SiCr
9	O-ring	2	Buna Nitril	Buna Nitril
10	Back-up Bearing	2	POM	POM
11	O-ring	2	Buna Nitril	Buna Nitril
12	End Cap	2	Alum. Polyester Coated	Alum. CNI treated
13	End Cap Bolt	8	Stainless Steel	Stainless Steel
14	Ball Seal	2	Buna Nitril	Buna Nitril
15	Position Indicator	1	POM	POM
16	Washer	1	POM	POM
17	Circlip	1	Ni plated Steel	Ni plated Steel
18	Bearing	1	POM	POM
19	O-ring	1	Buna Nitril	Buna Nitril
20	Stop Adjustment O-ring	1	Buna Nitril	Buna Nitril
21	Stop Adjustment Washer	1	Stainless Steel	Stainless Steel
22	Stop Adjustment Nut	1	Stainless Steel	Stainless Steel
23	Stop Adjustment Screw	1	Stainless Steel	Stainless Steel