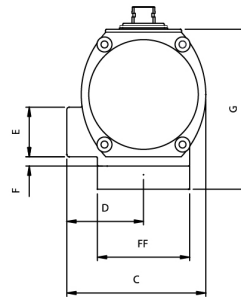
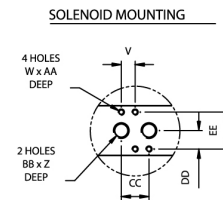
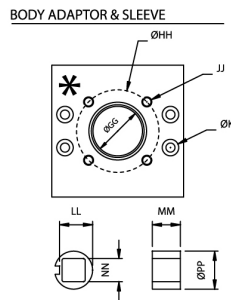
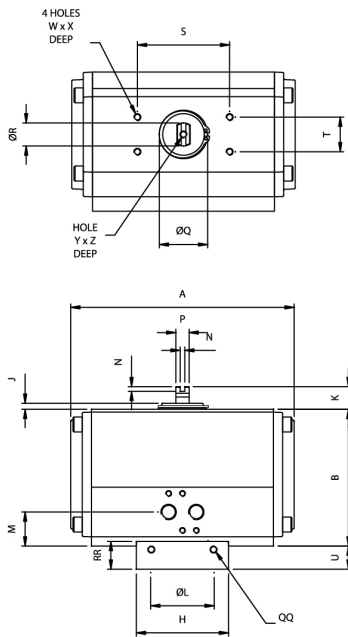


Pneumatic Actuator Type 2, Metric Size 35, 55, 70, 100 and 150

- Double acting (DA) and Spring Return (SR)
- Double End Stop Adjustment, open and closed position
- Body Adaptor Kit with Square (Double D or Key) Insert



DIMENSIONS, METRIC (mm)

Actuator size	ISO	A	B	C	D	E	F	G	H	J	K	ØL	M	N	P	ØQ	ØR	S	T	U	V
WM 35	F07/F10	266,0	166,5	156,0	78,0	43,0	8,5	196,7	120,0	7,0	30,0	55,0	30,0	4,0	19,0	61,0	32,0	80,0	30,0	30,2	12,0
WM 35	F10/F12	266,0	166,5	156,0	78,0	43,0	8,5	196,7	120,0	7,0	30,0	55,0	30,0	4,0	19,0	61,0	32,0	80,0	30,0	30,2	12,0
WM 55	F10/F12	312,0	207,5	191,0	95,5	43,0	20,5	242,5	140,0	7,5	30,0	85,0	42,0	4,0	25,4	61,0	40,0	130,0	30,0	35,0	12,0
WM 70	F10/F12	340,0	211,0	191,0	95,5	43,0	20,5	247,0	140,0	7,0	30,0	85,0	42,0	4,0	25,4	72,0	40,0	130,0	30,0	36,0	12,0
WM 100	F14	361,0	253,3	227,0	113,5	43,0	39,5	303,0	160,0	7,0	30,0	100,1	61,0	4,0	25,4	78,0	40,0	130,0	30,0	49,8	12,0
WM 150	F14	390,0	302,0	280,0	140,0	43,0	56,5	351,0	160,0	7,0	30,0	100,1	78,0	4,0	25,4	78,0	40,0	130,0	30,0	49,0	12,0

Actuator size	ISO	W	X	Y	Z	AA	BB	CC	DD	EE	FF	ØGG	ØHH	JJ	ØKK	LL	MM	NN	ØPP	QQ	RR
WM 35	F07/F10	M5	5,0	M6	12,0	8,0	G1/4"	24,0	16,0	32,0	119,9	46,0	70,0	M8	9,0	29,5	20,0	22,0	33,0	M10	34,0
WM 35	F10/F12	M5	5,0	M6	12,0	8,0	G1/4"	24,0	16,0	32,0	119,9	61,0	102,0	M10	9,0	39,0	25,0	22,0	44,0	M10	34,0
WM 55	F10/F12	M5	5,0	M6	12,0	8,0	G1/4"	24,0	16,0	32,0	139,9	75,0	125,0	M12	11,0	50,0	25,0	27,0	55,0	M10	40,0
WM 70	F10/F12	M5	5,0	M6	12,0	8,0	G1/4"	24,0	16,0	32,0	139,9	75,0	125,0	M12	11,0	50,0	25,0	27,0	55,0	M10	40,0
WM 100	F14	M5	5,0	M6	12,0	8,0	G1/4"	24,0	16,0	32,0	159,9	88,0	140,0	M16	14,0	62,5	35,0	36,0	68,0	M14	57,0
WM 150	F14	M5	5,0	M6	12,0	8,0	G1/4"	24,0	16,0	32,0	159,9	88,0	140,0	M16	14,0	62,5	35,0	36,0	68,0	M14	57,0



Pneumatic Actuator Type 2, Metric
Size 35, 55, 70, 100 and 150

TORQUE

Actuator Size	Air Supply	DA Torque	SR Torque (Nm)				
	BAR	Nm	Air - Start	Air - End	Spring - Start	Spring - End	Spring Qty
WM 35	6	374	241	133	241	132	4+4
WM 55	6	597	385	212	384	211	4+4
WM 70	6	824	533	294	531	292	4+4
WM 100	6	1122	725	399	723	398	4+4
WM 150	6	1655	1069	589	1066	586	4+4

OPERATING DETAILS

Actuator Size	Operating time (sec)				Air consumption (litre)		Overall weight (kg)	
	DA Open	DA Close	SR Open	SR Close	Open	Close	DA	SR
WM 35	2,5	2,5	2,5	2,0	1,69	1,90	12,9	14,6
WM 55	3,5	3,5	3,5	3,0	2,80	3,40	19,1	22,2
WM 70	4	4	4	3	3,05	3,7	24,4	28,0
WM 100	4,5	4,5	5,5	3,0	5,52	5,90	31,2	35,8
WM 150	5	5	7	4	7,60	9,60	44,5	53,0