

Solenoid Valve Joucomatic Type G551 5/2-3/2 Namur, Monostable

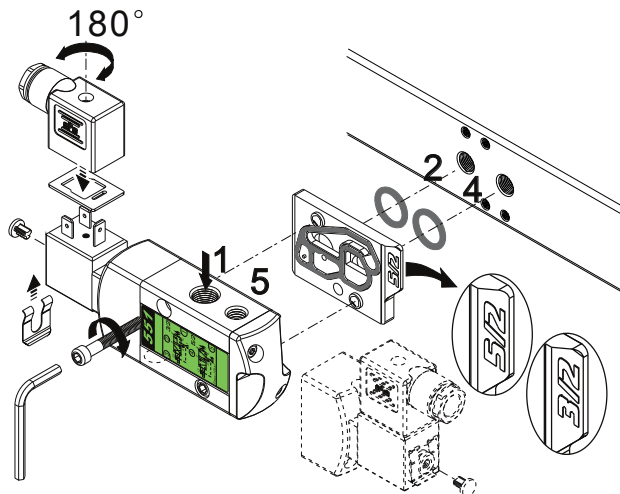
- The same spool valve can be adapted for 3/2 (SR, single-acting) or 5/2 (DA, double-acting) functions for controlling actuators.
- The spool valves have threaded port connections and “NAMUR” style interface.
- ASCO/JOUCOMATIC solenoid valves satisfy all relevant EC Directives.
- The monostable spool valves have TÜV certified IEC 61508 Functional Safety data and can be used up to SIL 4.



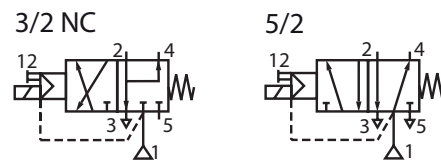
TECHNICAL DATA

Operating differential pressure (bar)	2 - 10
Air Flow	1/4 = 700 l/min @ 6 bar
Air inlet	G 1/4"
Body material	Aluminium, black anodized
End covers + interface plates material	Glass-filled polyamide
Sealing material	NBR + PUR
Coil insulation	Class F
Connector specification	DIN 43650, standard B (Option: connector with LED + varistor)
Standard voltages	12, 24, 48, 110 and 230V AC/DC
Electrical safety	IEC 335
Weight (g)	340
Manual override	As a standard feature
Protection class	IP65 (with cable plug)
Ambient temperature (°C)	-25 to +60
Media	air, inert gas, filtered

The spool valve is supplied with two interface plates with NAMUR mating surfaces. Depending on function (NC 3/2 or 5/2).

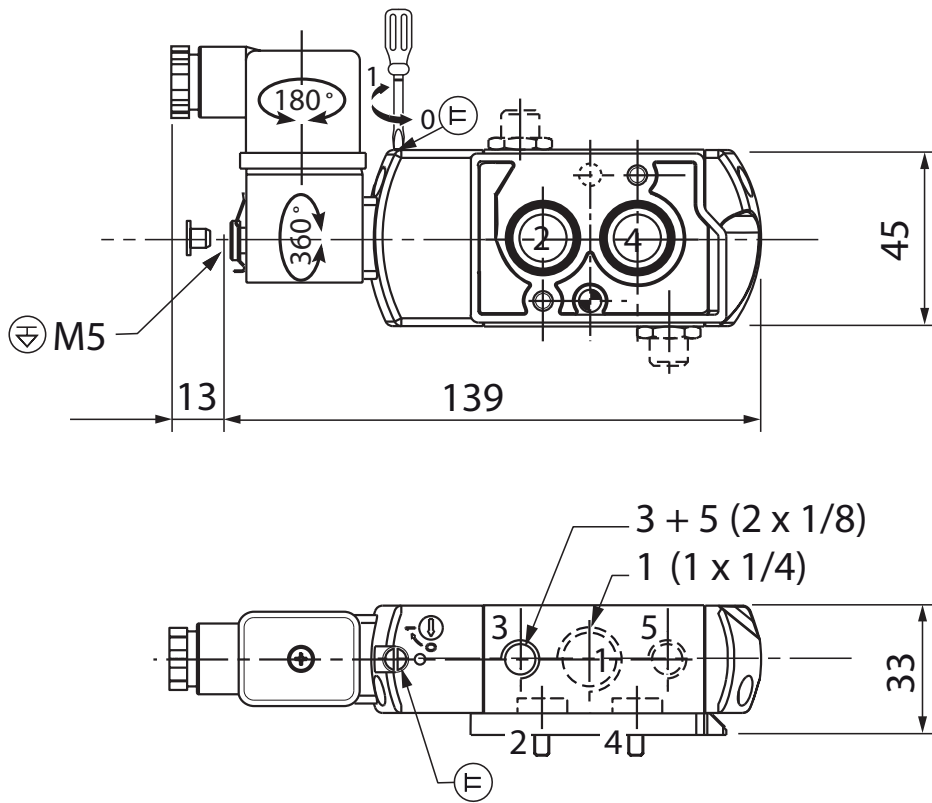


AIR SCHEMATIC



Solenoid Valve Joucomatic Type G551
5/2-3/2 Namur, Monostable

DIMENSIONS



CABLE CONNECTOR

